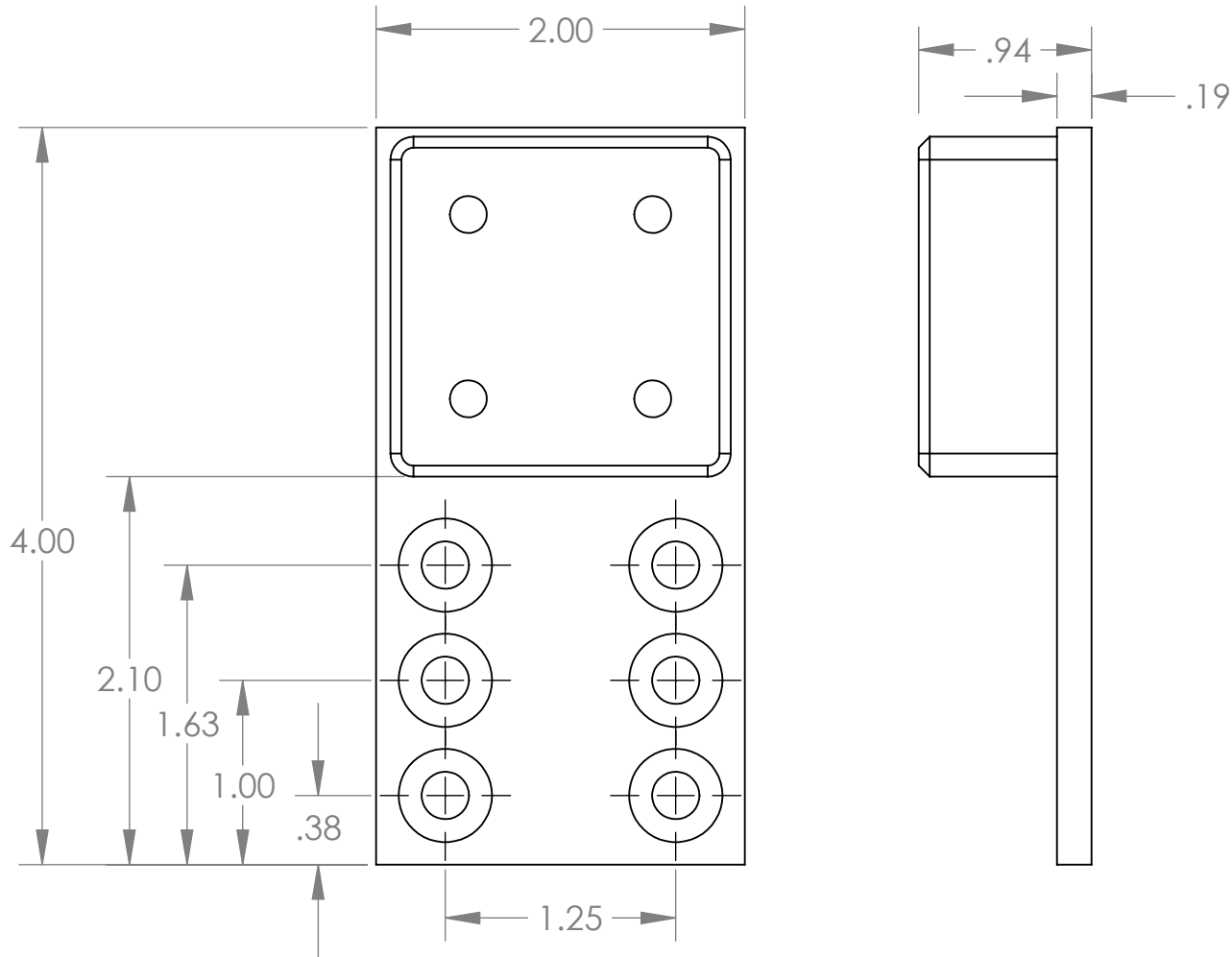


THE INFORMATION CONTAINED IN THIS DRAWING IS THE SOLE PROPERTY OF EG5 ANY REPRODUCTION IN PART OR WHOLE WITHOUT THE WRITTEN PERMISSION OF EG5 IS PROHIBITED.

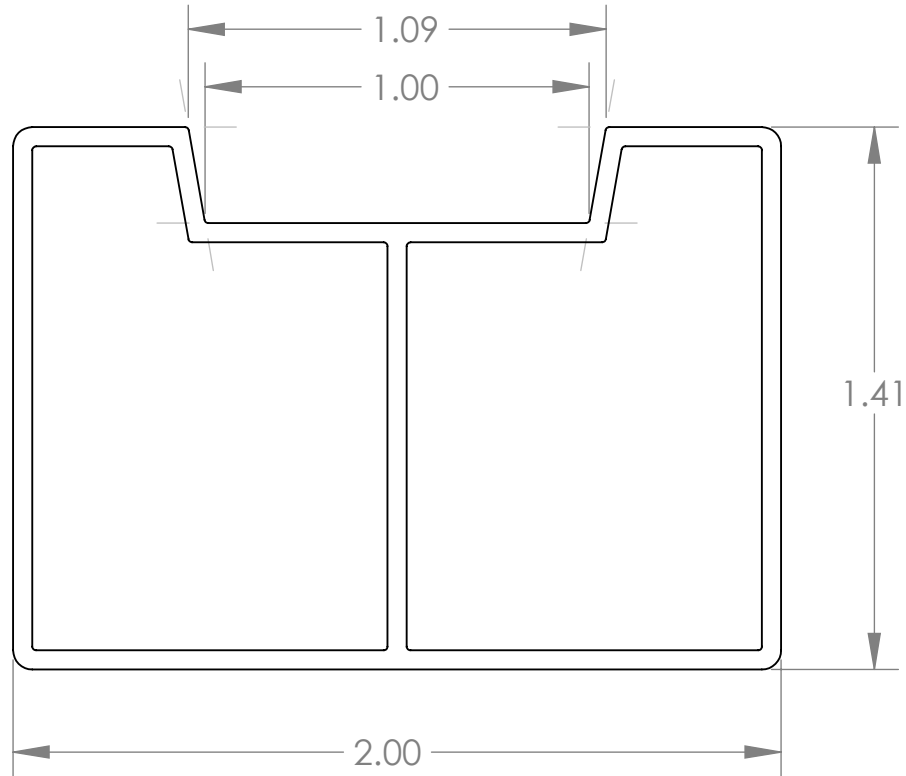


ITEM NO.	PART OR IDENTIFYING NO.	NOMENCLATURE OR DESCRIPTION	MATERIAL SPECIFICATION	QTY REQD
PARTS LIST				
UNLESS OTHERWISE SPECIFIED DIMENSIONS ARE IN INCHES		CAD GENERATED DRAWING, DO NOT MANUALLY UPDATE		
TOLERANCES ARE:		EG5 Solutions		
FRACTIONS DECIMALS ANGLES				
±1/8 .X ±.030 ±0°15'				
.XX ±.015 .XXX ±.005				
MATERIAL		APPROVALS	DATE	
FINISH		DRAWN	000 2919	
NEXT ASSY QTY.		CHECKED		
APPLICATION		RESP ENG		
DO NOT SCALE DRAWING		MFG ENG	SIZE DWG. NO.	
		QUAL ENG	A BC100-REVA	
			SCALE	CAD FILE:
			SHEET OF	

BC100	2
NEXT ASSY	QTY.
APPLICATION	

SIZE	DWG. NO.	REV.
A	BC100-REVA	
SCALE	CAD FILE:	SHEET OF

THE INFORMATION CONTAINED IN THIS DRAWING IS THE SOLE PROPERTY OF EG5 ANY REPRODUCTION IN PART OR WHOLE WITHOUT THE WRITTEN PERMISSION OF EG5 IS PROHIBITED.



ITEM NO.	PART OR IDENTIFYING NO.	NOMENCLATURE OR DESCRIPTION	MATERIAL SPECIFICATION	QTY REQD
PARTS LIST				
UNLESS OTHERWISE SPECIFIED DIMENSIONS ARE IN INCHES		CAD GENERATED DRAWING, DO NOT MANUALLY UPDATE		
TOLERANCES ARE:		APPROVALS	DATE	
FRACTIONS	DECIMALS	ANGLES	EG5 Solutions	
±1/8	.X ±.030	±0°15'		
	.XX ±.015			
	.XXX ±.005			
MATERIAL		RESP ENG		
FINISH		MFG ENG		
DO NOT SCALE DRAWING		QUAL ENG		
SIZE	DWG. NO.			REV.
A	BC100-3			
SCALE	CAD FILE:			SHEET OF
				1 1

BC1000	1
NEXT ASSY	QTY.
APPLICATION	

Al
Black Anodize

APPROVALS	DATE
DRAWN	040918
CHECKED	
RESP ENG	
MFG ENG	
QUAL ENG	

SIZE	DWG. NO.	REV.
A	BC100-3	
SCALE	CAD FILE:	SHEET OF
		1 1